

# Video Converter Streaming Server

TXVV-VDO2IP

Professional equipment in mission-critical applications is all about reliability and confidence. So we started with a clean sheet, and built what might soon become your most trustworthy piece of equipment.

Introducing the world's first video converters *truly* designed for the road. Video converters nowadays are used everywhere on professional A/V events, presentations, live shows and tours and often have a critical role. Yet, they are often the weakest link in the signal chain. Low quality connectors, weak enclosure, external consumer-grade power supply, and overall barebones design that all contribute to a generally unreliable piece of equipment. We wanted to change that, so we designed the xVision Video Converters.

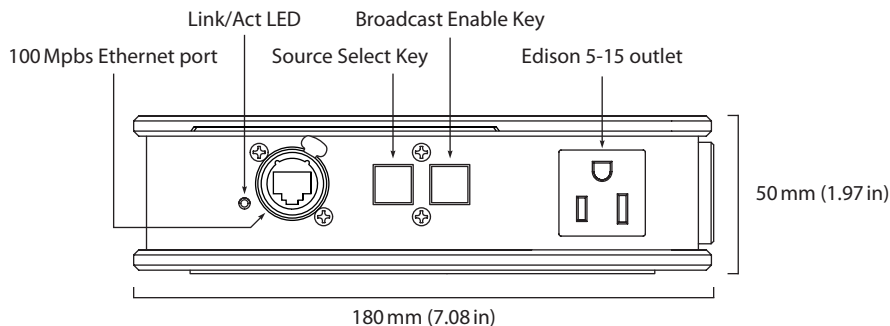
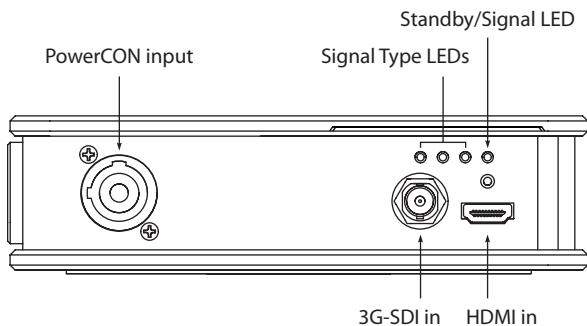


DESIGNED & MANUFACTURED  
IN CANADA 🇨🇦



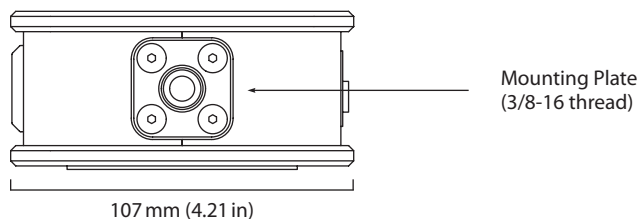
## Features

- ✓ **Integrated power supply** with locking PowerCON connector. Never rely on a cluster of wall-warts again.
- ✓ **Built-in convenience 120V** outlet to power nearby projector, TV, laptop, small video projector... Power bar to power both the converter and device not required anymore.
- ✓ **Magnetic stacking system** and non-skid rubber pad for table top. Saves at least 10 gaffer tape rolls a year.
- ✓ **Multiple mounting options**: C-Clamp, wall-mount adapter, LCD mount adapter and belt adaptor.
- ✓ **Rugged, Tour-ready and aesthetic enclosure**: The sexiest widget in your tool box, that will keep looking good for years to come.
- ✓ Clear and ample status **LED indicators** for quick troubleshooting.
- ✓ HDMI input **tested and compatible with Apple** computers and iPad.
- ✓ **Easy on-the-field identification** with unique color and alphabetic coding system.
- ✓ **Locking HDMI port** prevents accidental disconnection.
- ✓ Effortlessly **stream Full HD 1080p, H.264**-encoded video to YouTube, Facebook Live, or any RSTP or RTMP destination
- ✓ **Wide range of transport protocols** supported
- ✓ **One-button operation** after configuration with broadcast-grade operation keys directly on unit
- ✓ **Built in web server** for configuration and control
- ✓ **Native support** for HDMI and 3G-SDI signals with built-in scaling engine
- ✓ **Professional locking EtherCON** connector for Ethernet connection
- ✓ Proudly designed and assembled **in Canada**.



## Connections

<b>Video Input</b>	3G-SDI BNC HDMI 1.4 type A with lock system
<b>Network Interface</b>	Locking EtherCON 10/100 Mbps Ethernet Built-in web server for configuration and control DHCP or static IP client
<b>Local control</b>	Plug and play operation(2 buttons)



## Supported Signals

<b>Format Support</b>	1920x1080p 60/50 fps   1920x1080p 30/25/24 fps   1920x1080i 60/50 fps   1280x720p 60/50 fps   1280x1024p 60 fps   1280x960p 60 fps   1024x768p 60 fps   800x600p 60 fps   720x480p 60 fps   720x480i 60 fps   640x480p 60 fps   720x576p 50 fps   720x576i 50 fps
-----------------------	---

<b>Video Codec Support</b>	H.264 (Baseline/Main/High) Configurable bit rate up to 10 Mbps (User selectable between Variable/Constant/Average Bit Rate) Downscaling available from 1920x1080 down to 128x128
----------------------------	--

<b>Streaming Protocols</b>	RTSP over HTTP/TCP/UDP (RTSP elementary stream), RTMP Publish (For YouTube/Facebook Live ...), TS over TCP/UDP/HTTP (unicast & multicast)
----------------------------	---

<b>Embedded Audio Support</b>	AAC-LC Configurable bit rate range from 32 Kbps to 384 Kbps Sample rate of 48 KHz, 16 bit
-------------------------------	---

## Environmental Specifications

<b>Operating Temperature</b>	0-40° C
<b>Relative Humidity</b>	0-90 % non-condensing

## Physical Specifications

<b>Height</b>	50 mm (1.97 in)
<b>Depth</b>	180 mm (7.08 in)
<b>Width</b>	107 mm (4.21 in)
<b>Weight</b>	1 kg (2.2 lbs)

## Power Requirements

<b>Power Supply</b>	Built-in power supply PowerCON input Edison Nema 5-15 output
<b>Power Consumption</b>	25W
<b>Operational Voltage Range</b>	90-250V 50-60 Hz with PowerCON
<b>Courtesy Outlet</b>	Max 10A, same voltage as input

## In the box

- xVision Streaming Server
- AC Mains PowerCon cable (1.5m, specify plug type at ordering)

## Certification

<b>This device complies with the following international standards</b>	CAN/CSA-C22.2 NO. 60950 UL 60950 FCC Part 15 Class A CE
--	--